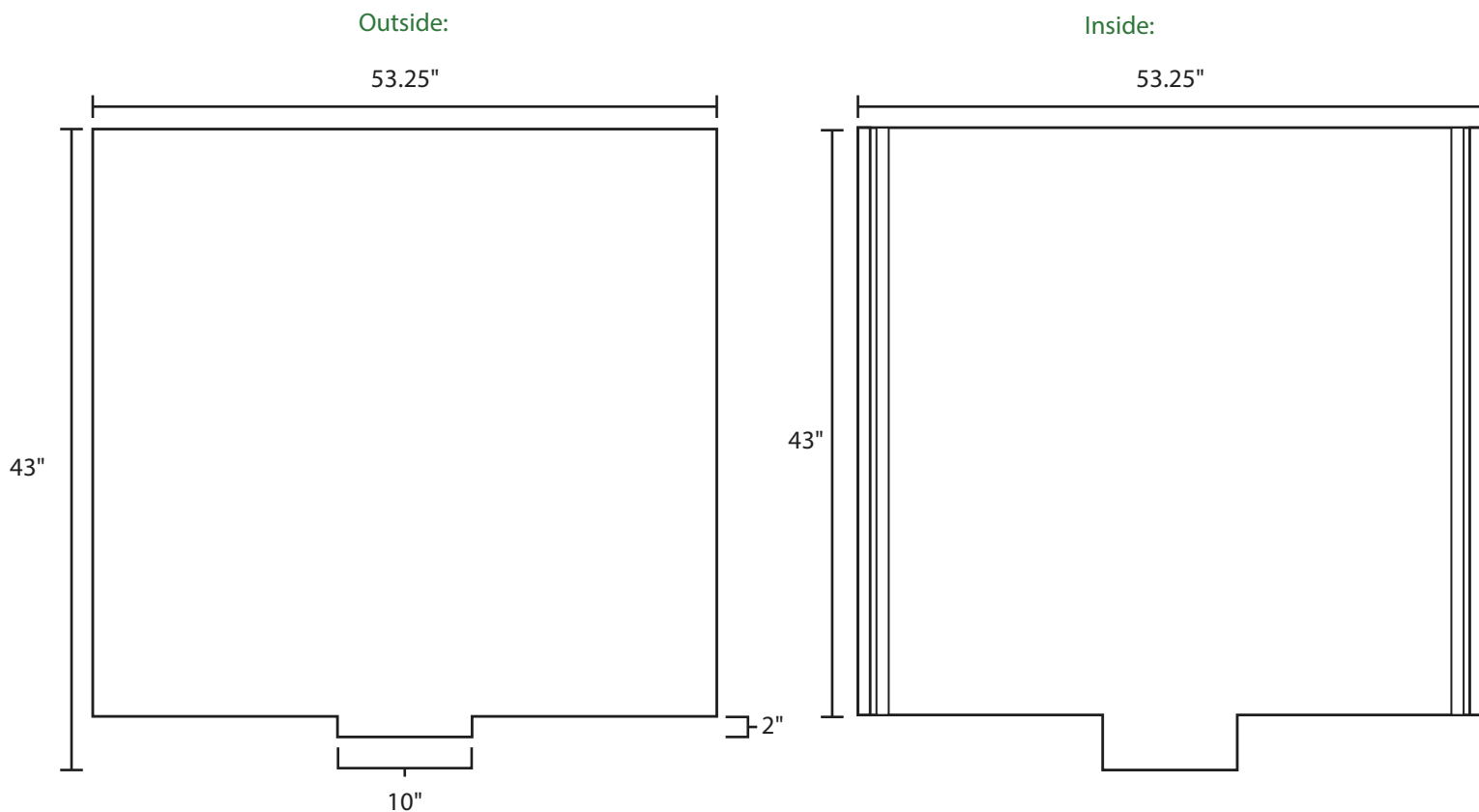
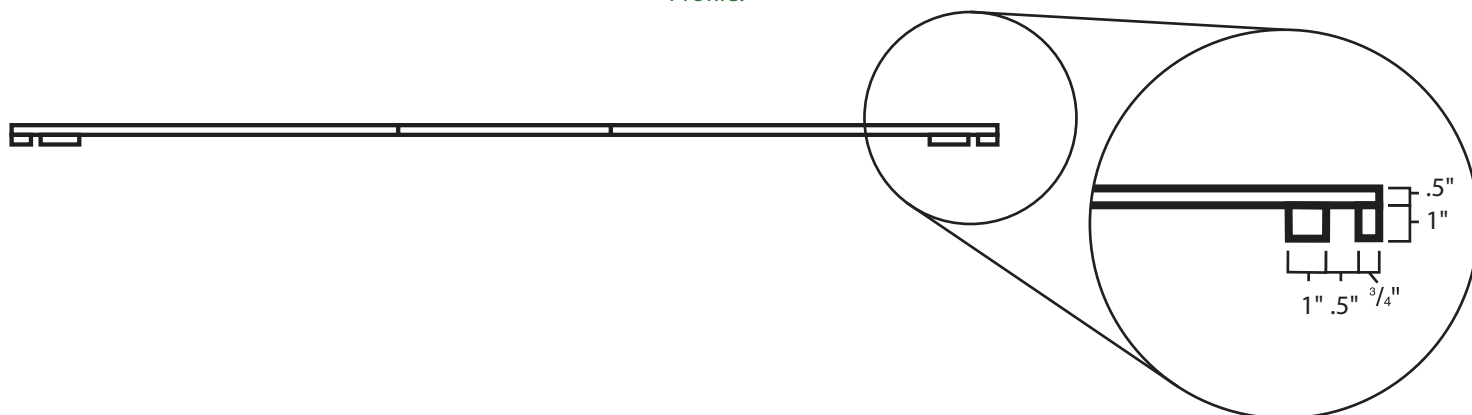


Pallet Specification Sheet

Pallet ID: ppc-CSC-Side 2-Style A



Profile:



Components & Specifications:

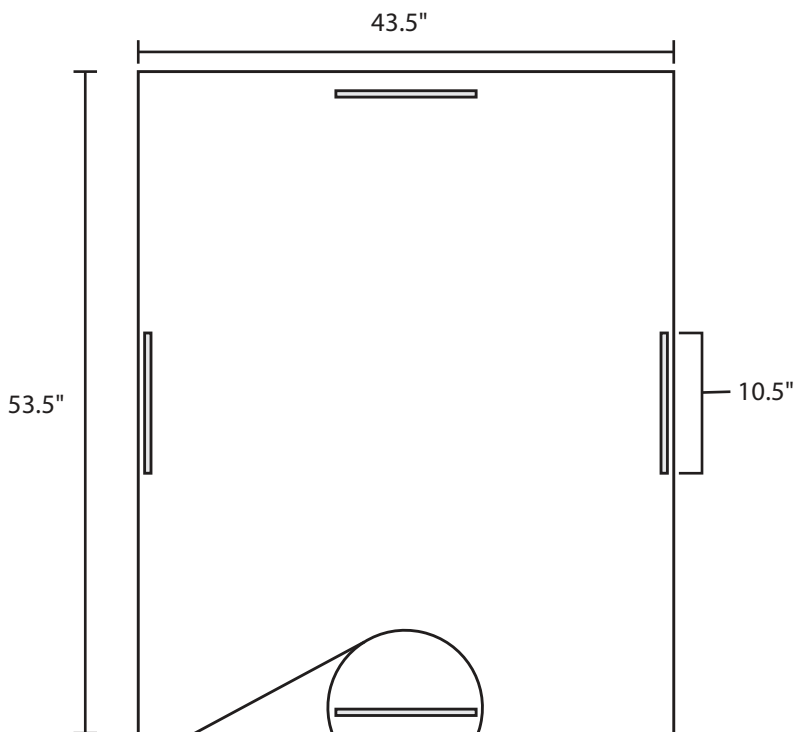
Dimensions: 53.25" x 45" x 1.5"

All parts made of recycled plastic

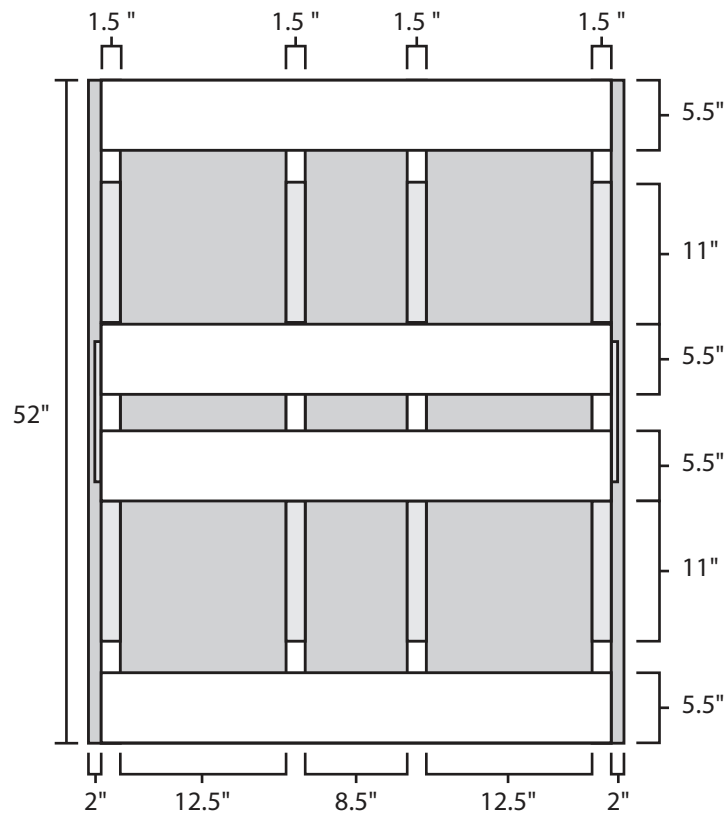
Pallet Specification Sheet

Pallet ID: ppc-CSC-Bottom-Style A

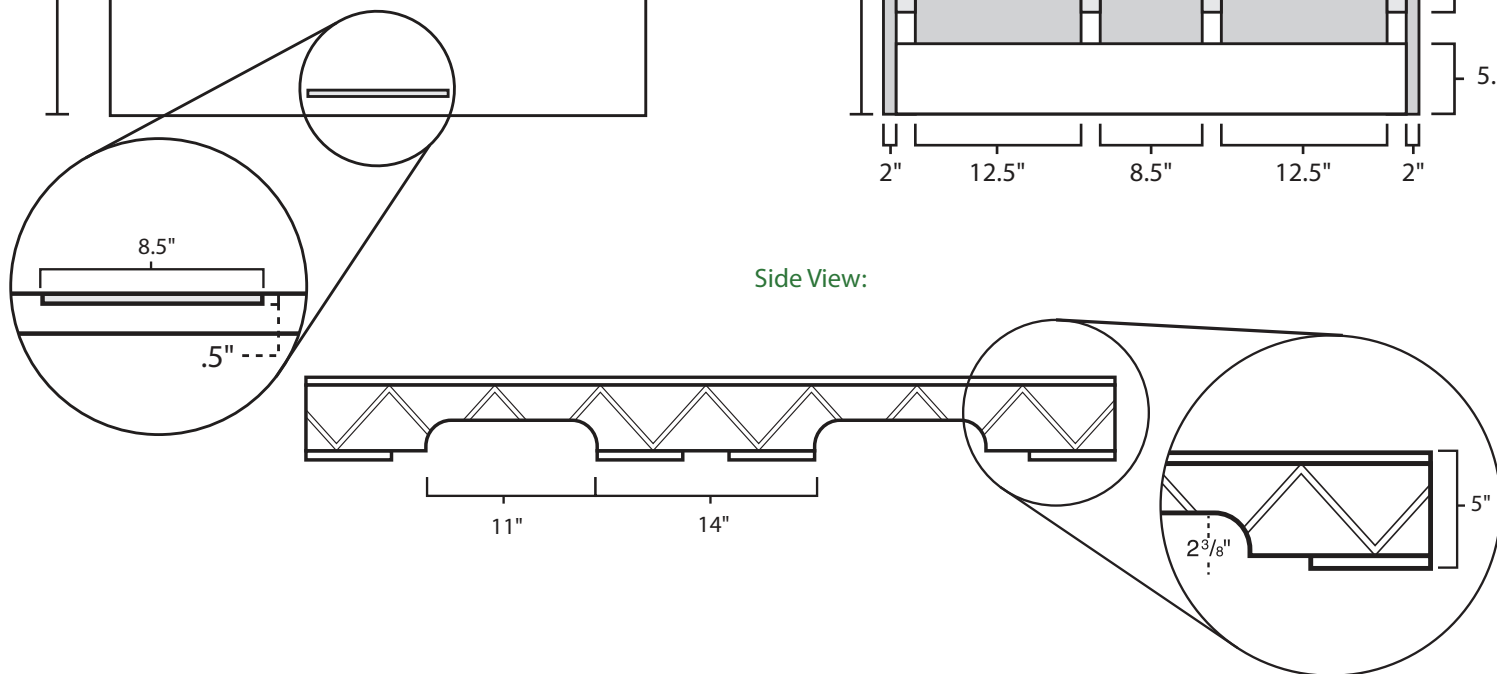
Top View:



Bottom View:



Side View:



Components & Specifications:

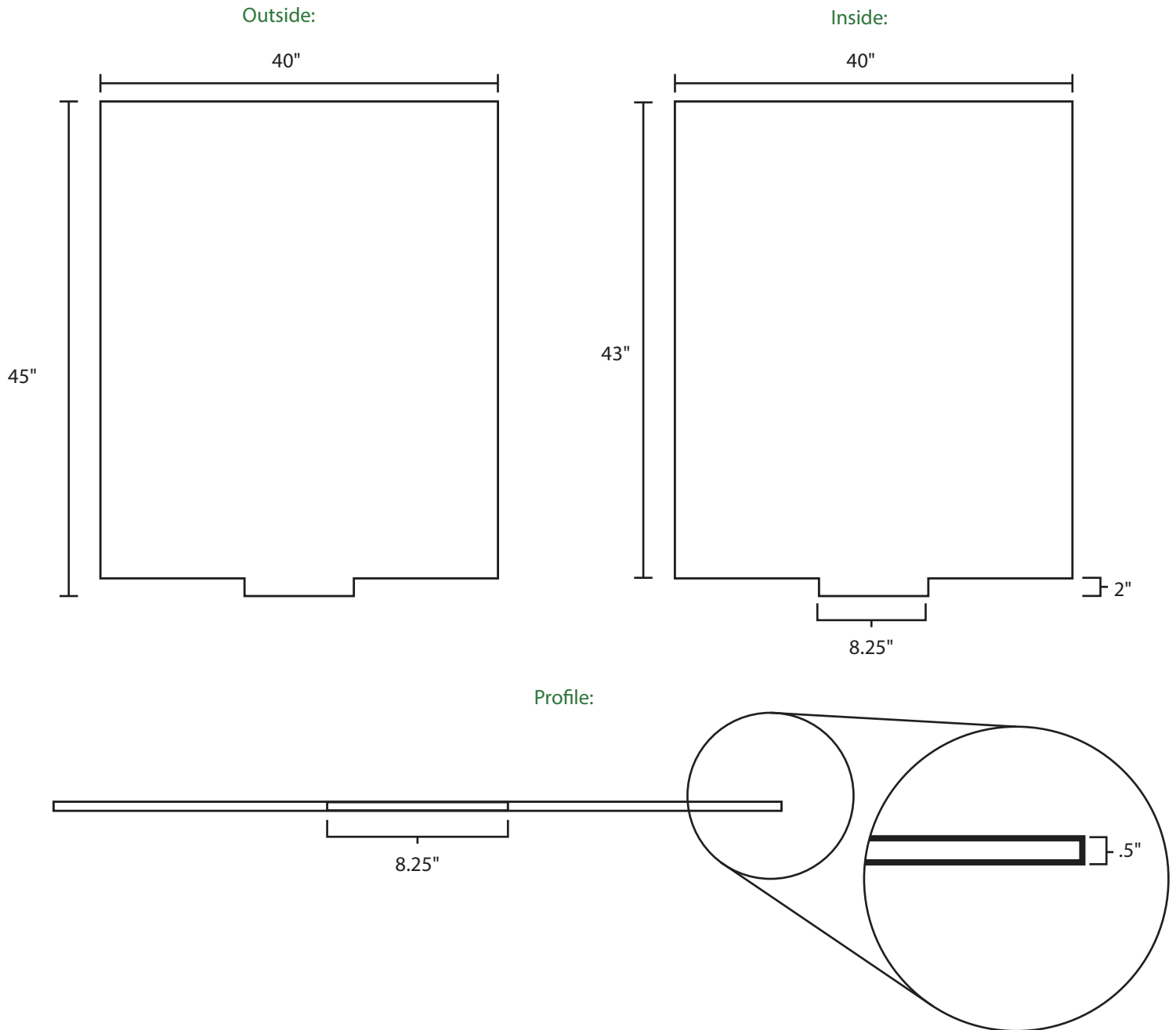
Dimensions: 43.5" x 53.5" x 5" All parts made of recycled plastic

Stackable

#10-12X1-1/2 Screws

Pallet Specification Sheet

Pallet ID: ppc-CSC-Side 1-Style A



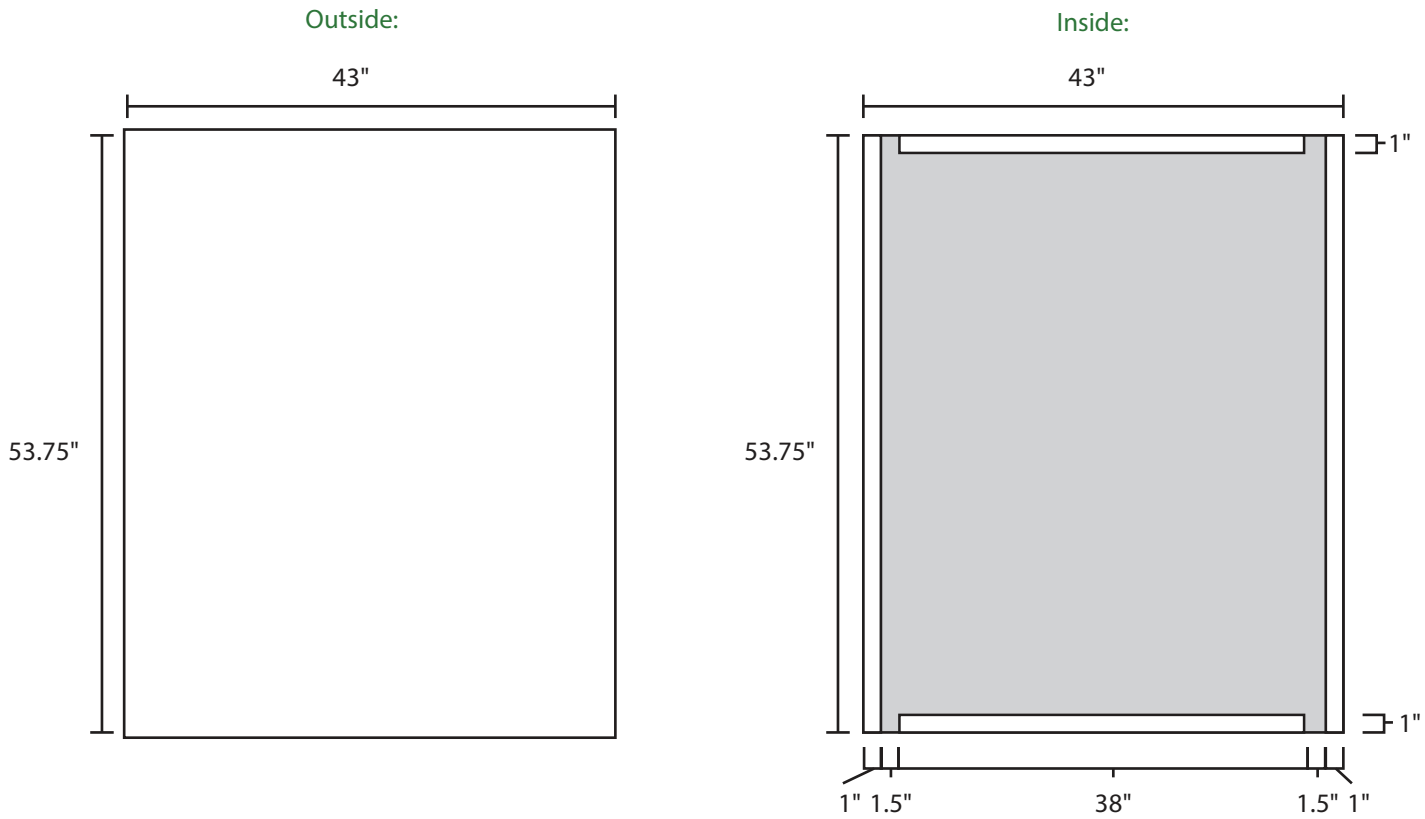
Components & Specifications:

Dimensions: 40" x 45" x .5"

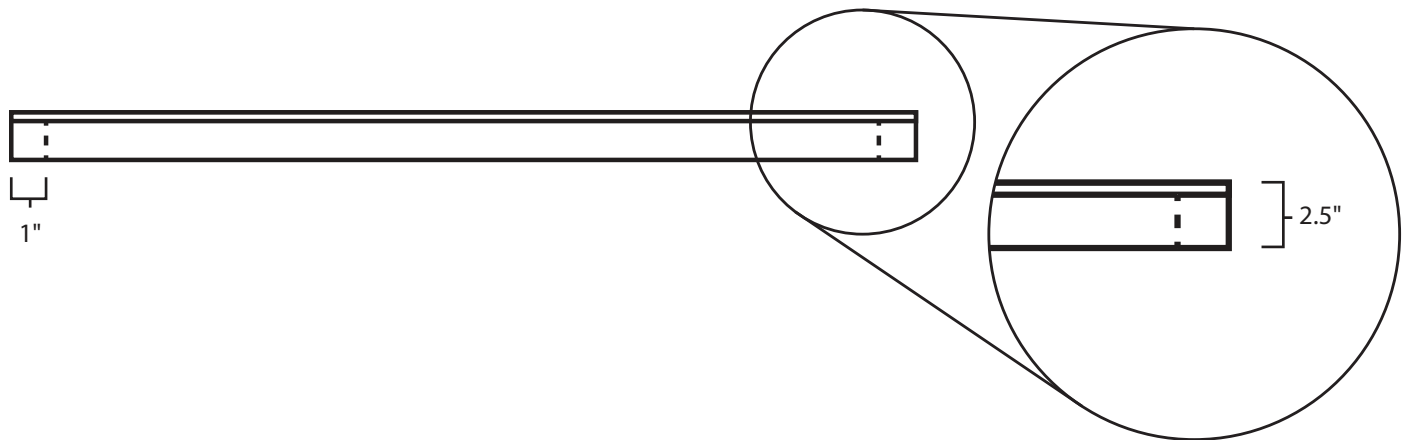
All parts made of recycled plastic

Pallet Specification Sheet

Pallet ID: ppc-CSC-Top-Style A



Profile:



Components & Specifications:

Dimensions: 43" x 53.75" x 2.5"

All parts made of recycled plastic