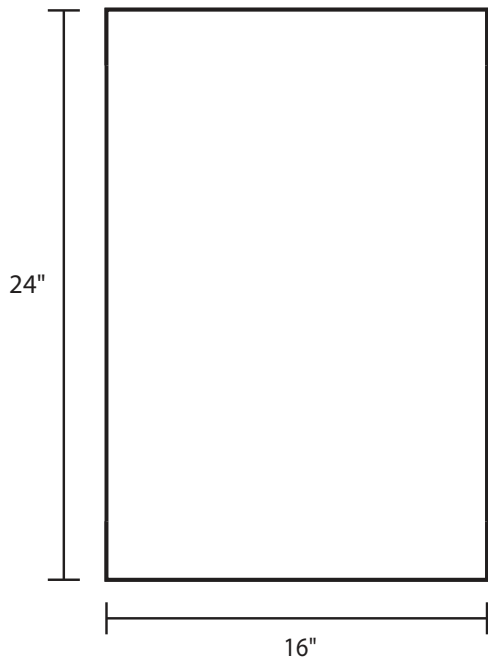


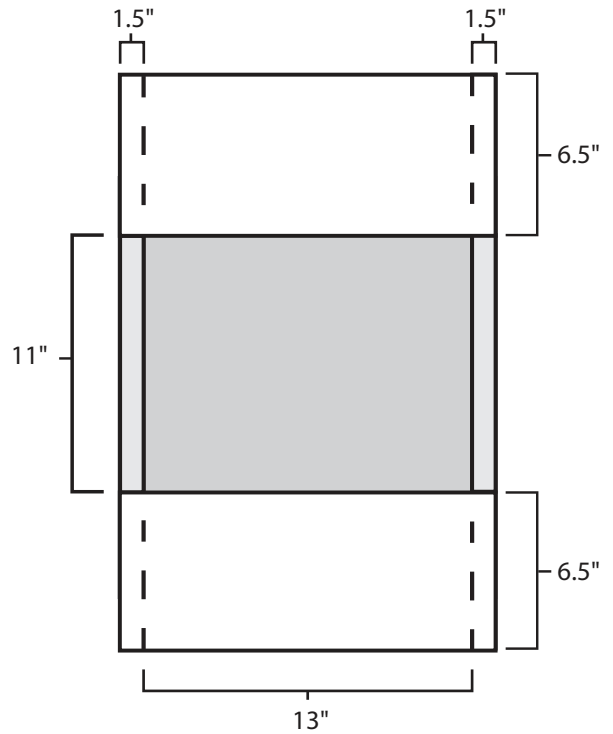
# Pallet Specification Sheet

Pallet ID: ppc1624-2B2SF

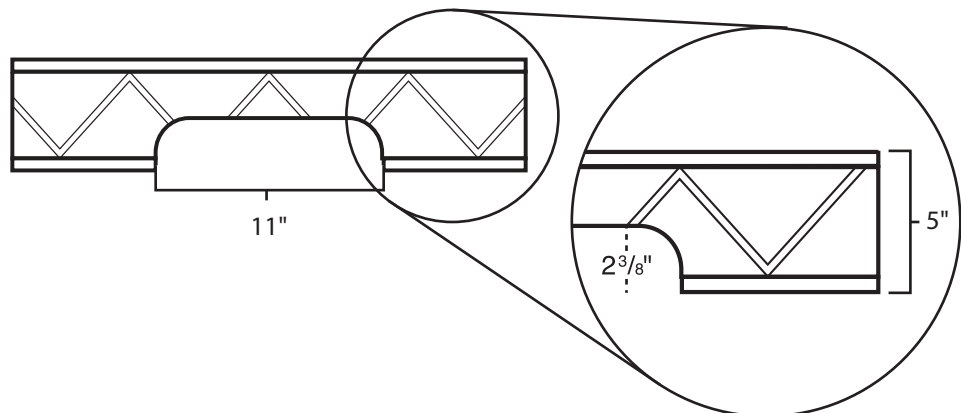
Top View:



Bottom View:



Side View:



## Components & Specifications:

Dimensions: 16" x 24" x 5"  
Weight: 11lbs  
Stackable

Dynamic Capacity: 1,500lbs  
Static Capacity: 15,000lbs  
#10-12X1-1/2 Screws

All parts made of recycled plastic  
All parts made in USA  
Pallet is fully recyclable

Tolerances +/- 3/8"