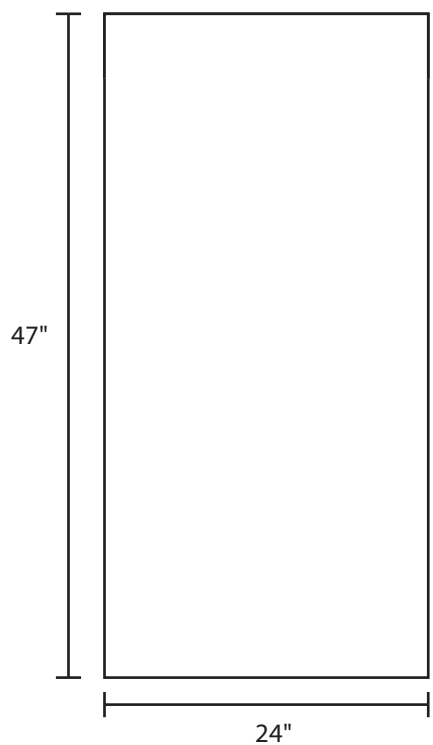


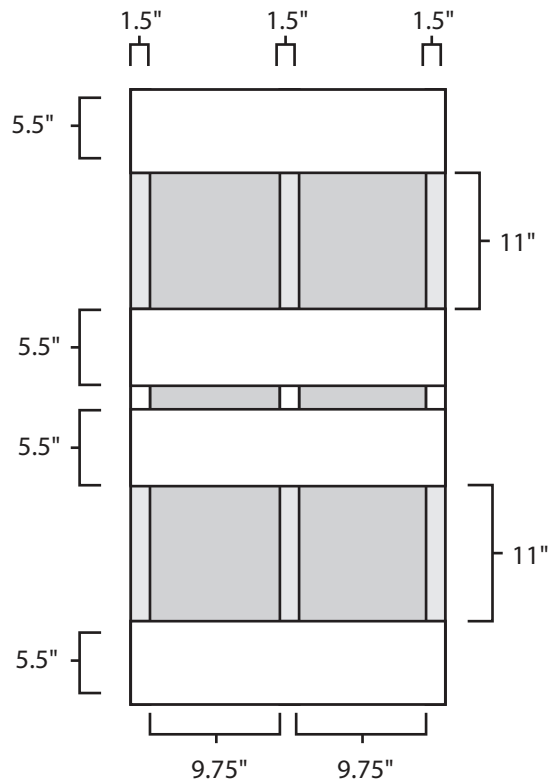
Pallet Specification Sheet

Pallet ID: ppc-2447-4B3SF

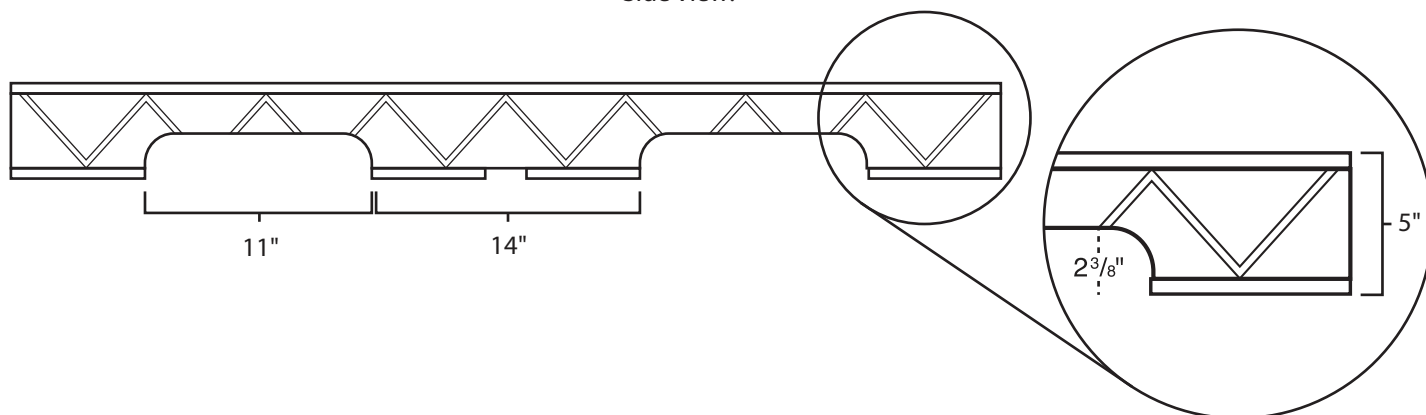
Top View:



Bottom View:



Side View:



Components & Specifications:

Dimensions: 24" x 48" x 5"
Weight: 40lbs
Stackable

Dynamic Capacity: 2,000lbs
Static Capacity: 15,000lbs
#10-12X1-1/2 Screws

All parts made of recycled plastic
All parts made in USA
Pallet is fully recyclable

Tolerances +/- 3/8"