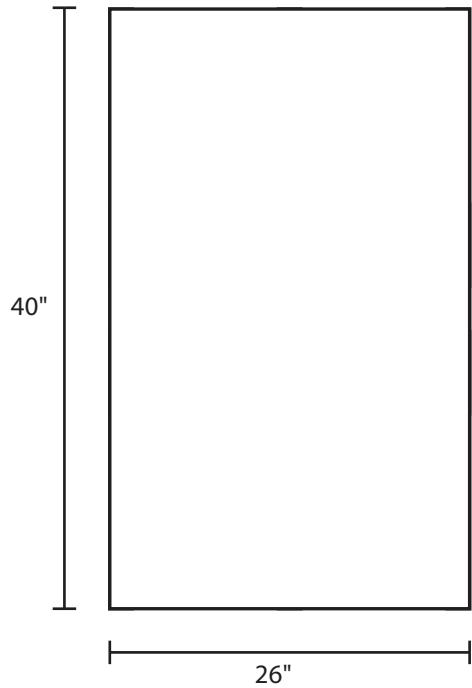


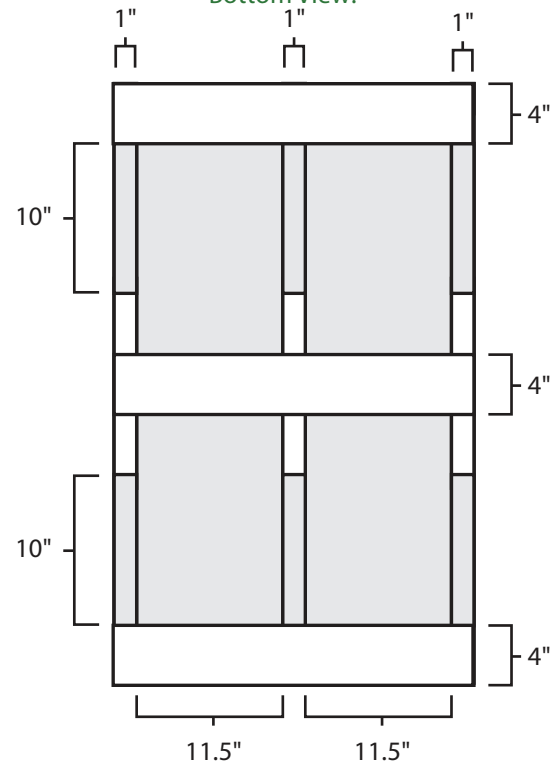
Pallet Specification Sheet

Pallet ID: ppc-2640-3B3SF-CS-CB

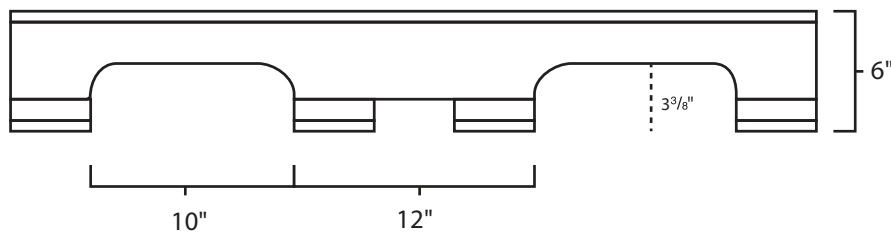
Top View:



Bottom View:



Side View:



Components & Specifications:

Dimensions: 26" x 40" x 6"
Weight: 41lbs
Stackable

Dynamic Capacity: 2,500lbs
Static Capacity: 15,000lbs
#10-12X1-1/2 Screws

All parts made of recycled plastic
All parts made in USA
Pallet is fully recyclable

Tolerances +/- 3/8"