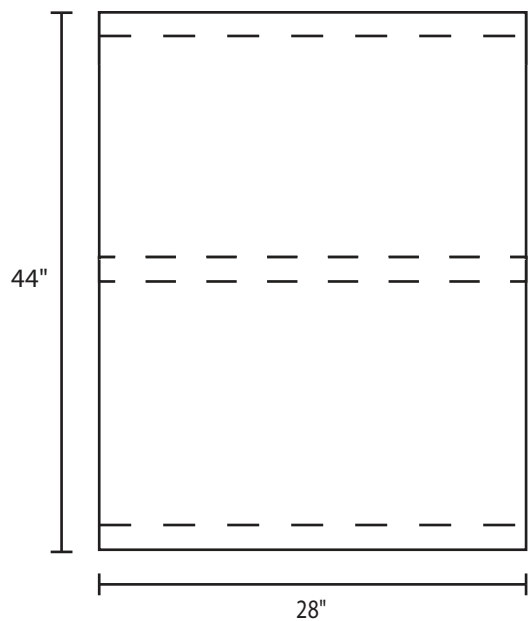


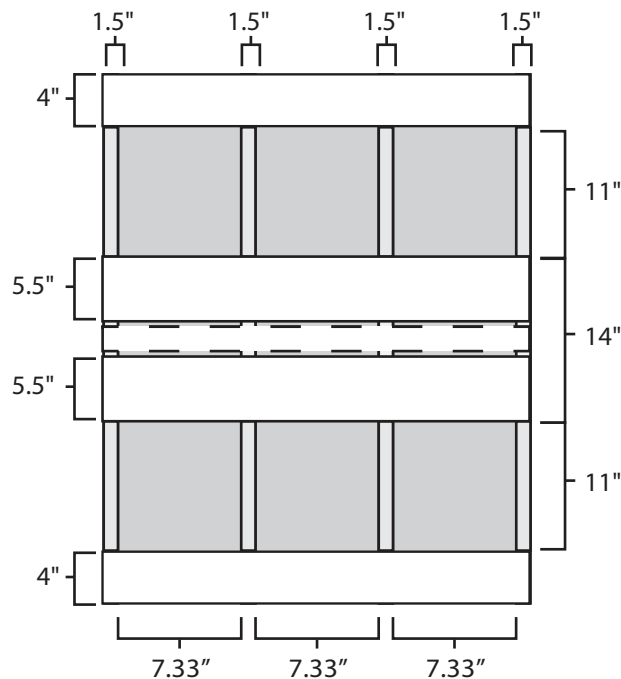
# Pallet Specification Sheet

Pallet ID: ppc-2844-4B4SF-3XS

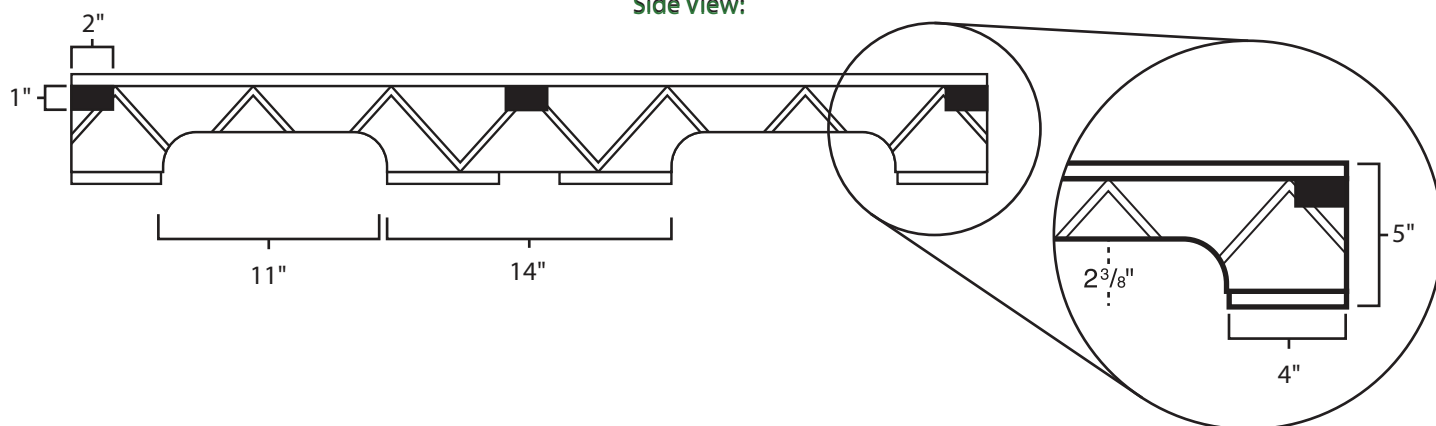
Top View:



Bottom View:



Side View:



## Components & Specifications:

Dimensions: 28" x 44" x 5"

Weight: 52 lbs

Stackable

Dynamic Capacity: 3,500lbs

Static Capacity: 20,000lbs

#10-12X1-1/2 Screws

All parts made of recycled plastic

All parts made in USA

Pallet is fully recyclable

Tolerances +/- 3/8"

Plastic Pallet Creations

101 Forrest Street,

Stanwood, IA 52337

319-248-5550