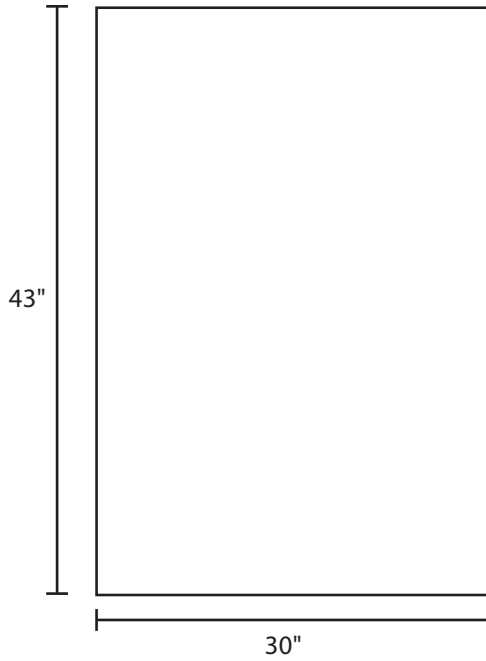


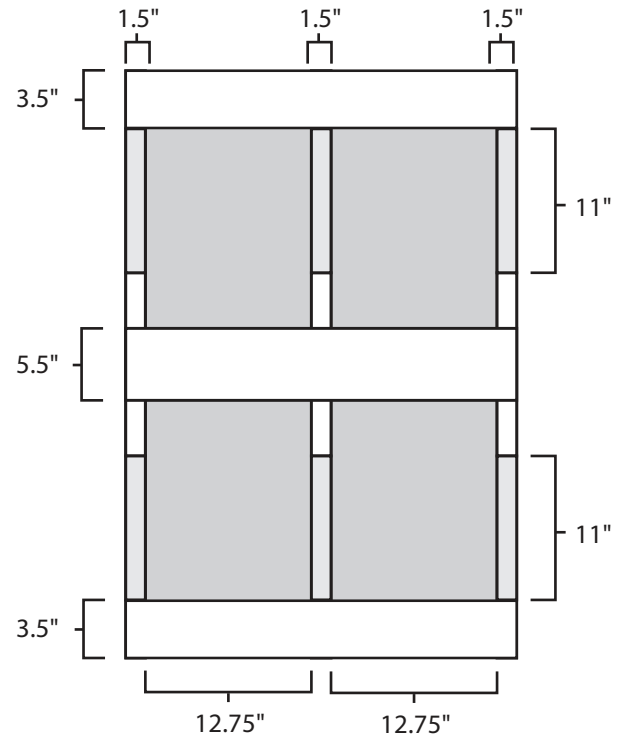
Pallet Specification Sheet

Pallet ID: ppc3043-3B3SF

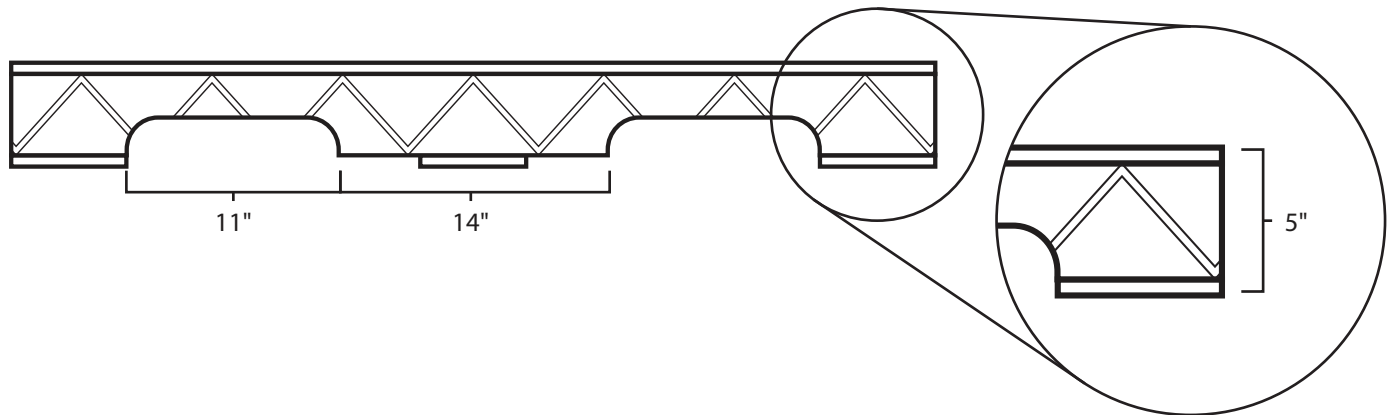
Top View:



Bottom View:



Side View:



Components & Specifications:

Dimensions: 30" x 43" x 5"

Weight: 38lbs

Stackable

Dynamic Capacity: 2,000lbs

Static Capacity: 15,000lbs

#10-12X1-1/2 Screws

All parts made of recycled plastic

All parts made in USA

Pallet is fully recyclable

Tolerances +/- 3/8"

Plastic Pallet Creations

101 Forrest Street,
Stanwood, IA 52337

319-248-5550