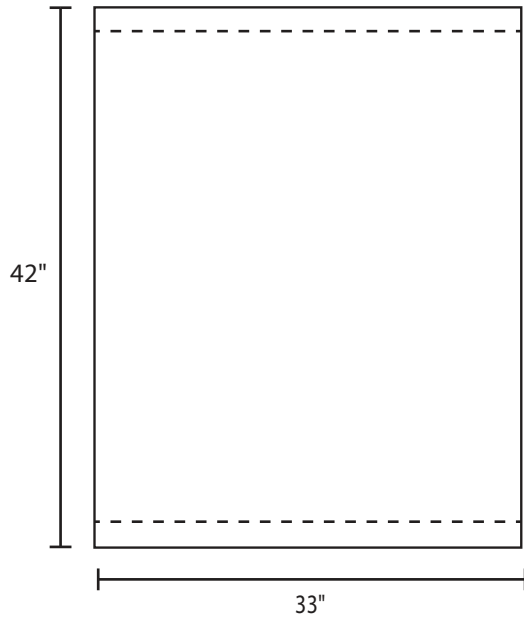


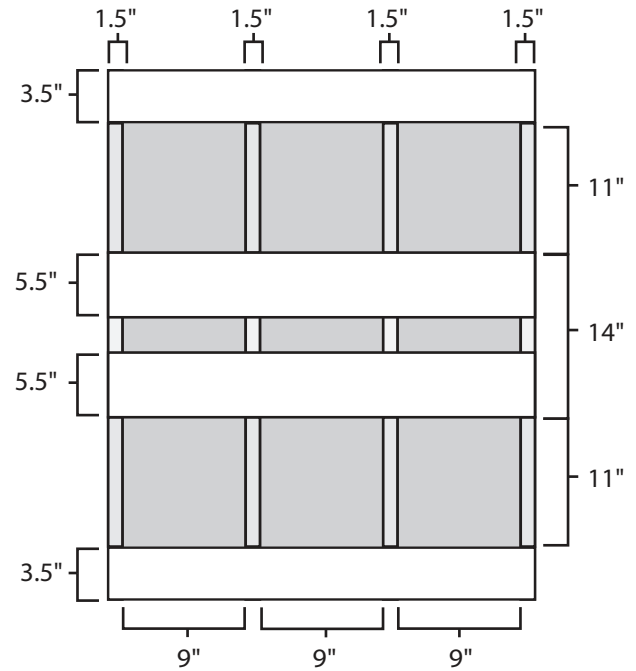
Pallet Specification Sheet

Pallet ID: ppc3342-4B45F-2XS

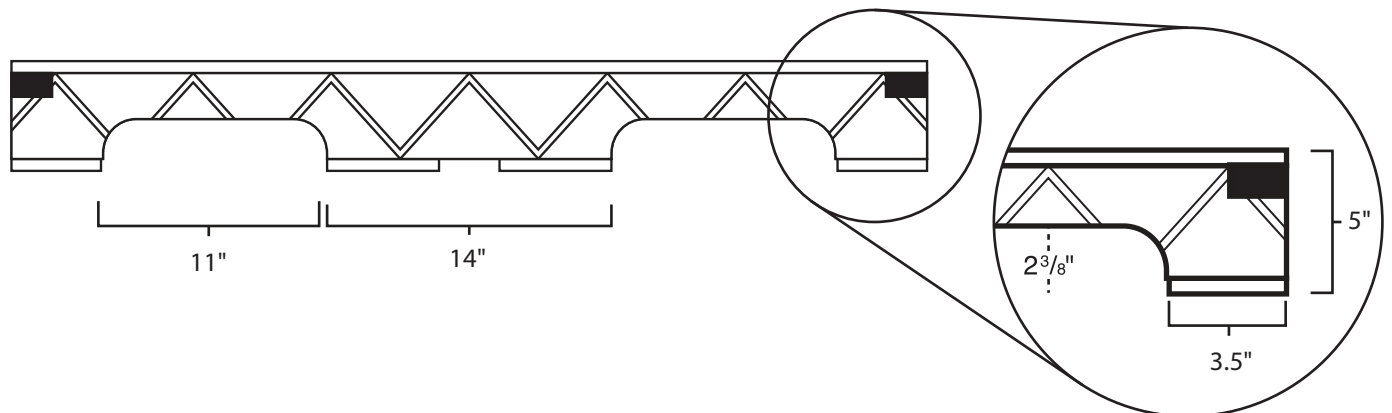
Top View:



Bottom View:



Side View:



Components & Specifications:

Dimensions: 33" x 42" x 5"
Weight: 45lbs
Stackable

Dynamic Capacity: 3,000lbs
Static Capacity: 15,000lbs
72 #10-12X1-1/2 Screws

All parts made of recycled plastic