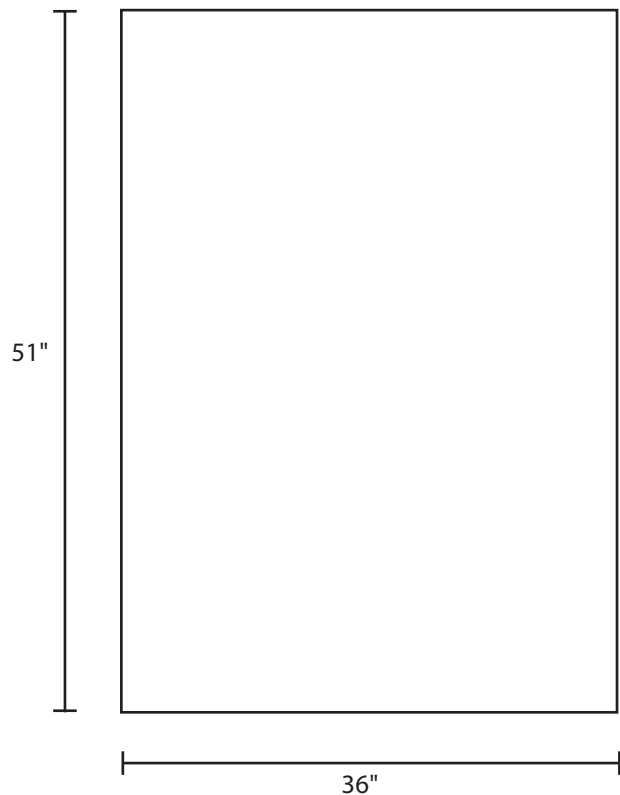


# Pallet Specification Sheet

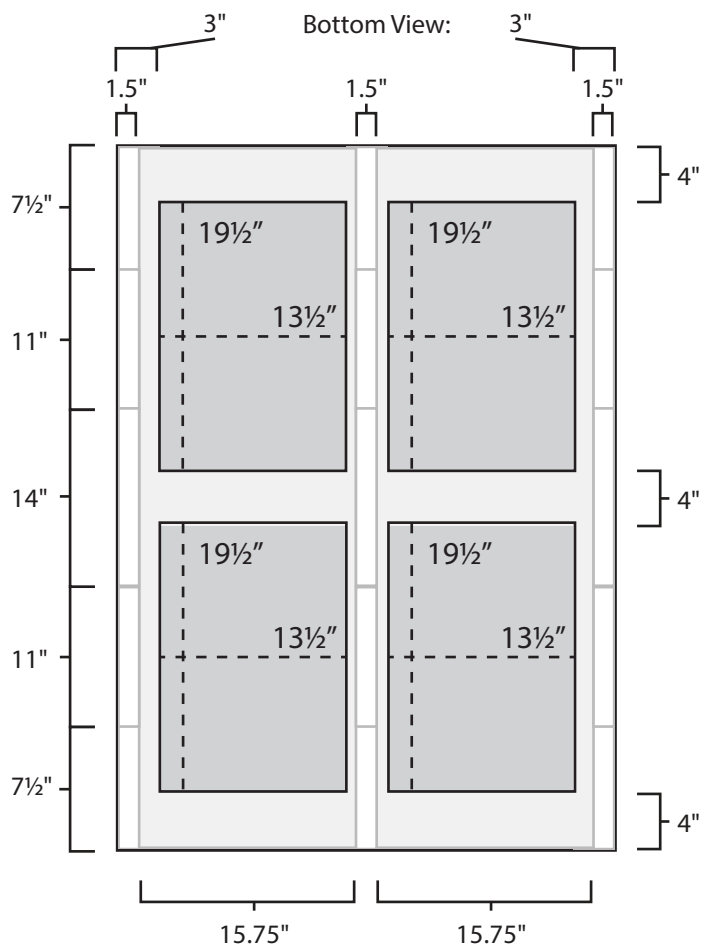
Pallet ID: ppc-3651-3SF-WP



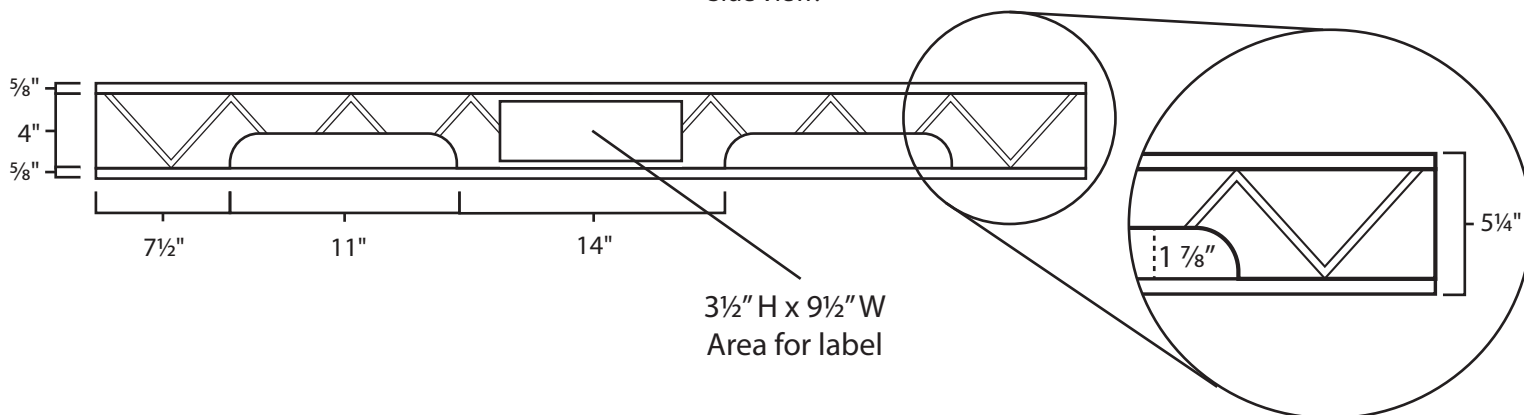
Top View:



Bottom View:



Side View:



## Components & Specifications:

Dimensions: 36" x 51" x 5 1/4"  
Weight: 60 lbs  
Stackable

Dynamic Capacity: 4,000lbs  
Static Capacity: 20,000lbs  
#10-12X1-1/2 Screws

All parts made of recycled plastic  
All parts made in USA  
Pallet is fully recyclable  
Tolerances +/- 3/8"

Plastic Pallet Creations  
101 Forrest Street,  
Stanwood, IA 52337  
319-248-5550

