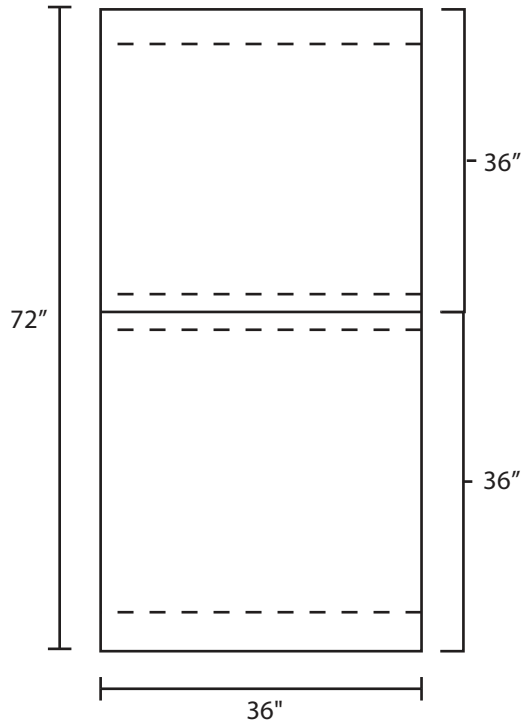


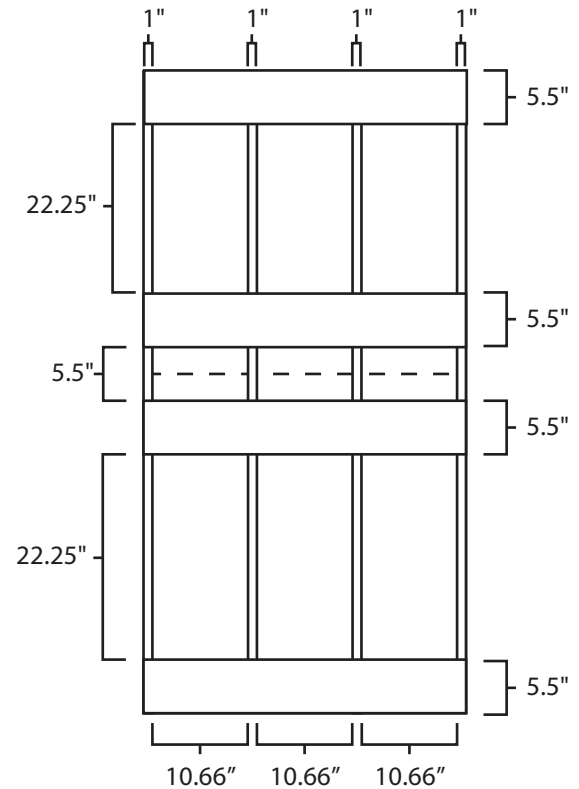
Pallet Specification Sheet

Pallet ID: ppc3672-4B4SF-SS

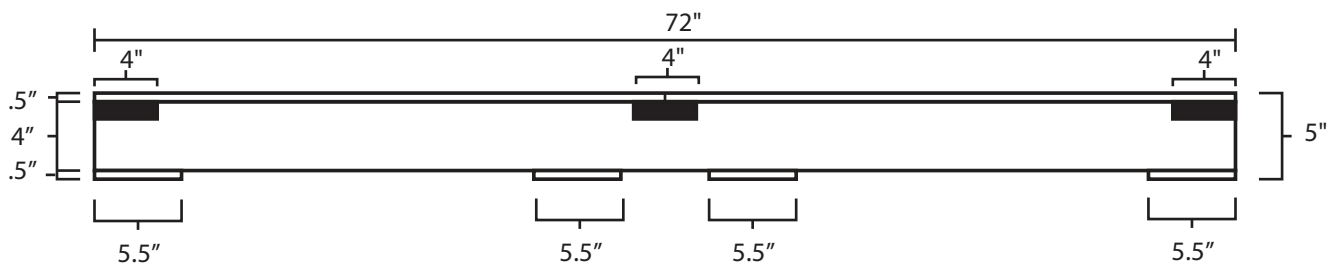
Top View:



Bottom View:



Side View:



Components & Specifications:

Dimensions: 36" x 72" x 5"

Weight: 62 lbs

Stackable

#10-12X1-1/2 Screws

Dynamic Capacity: 2,000lbs

Static Capacity: 15,000lbs

All parts made of recycled plastic

All parts made in USA

Pallet is fully recyclable

Tolerances +/- 3/8"