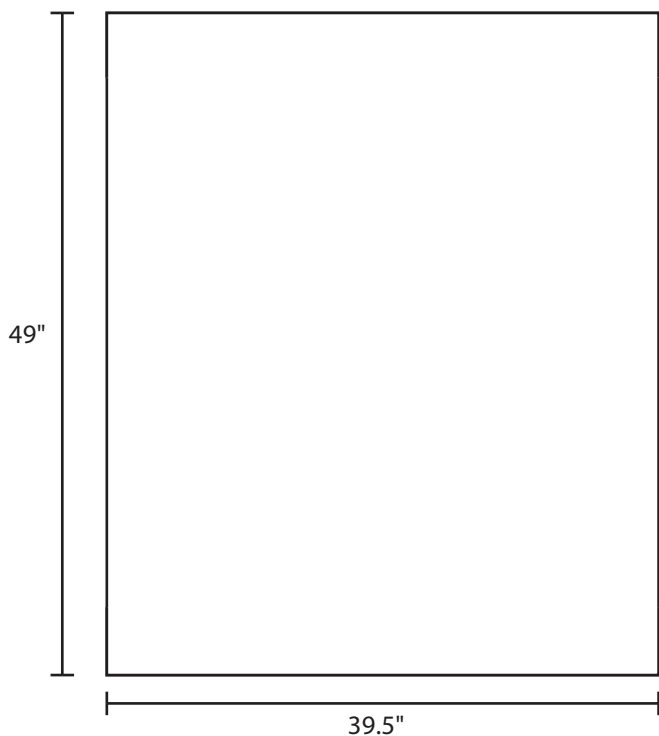


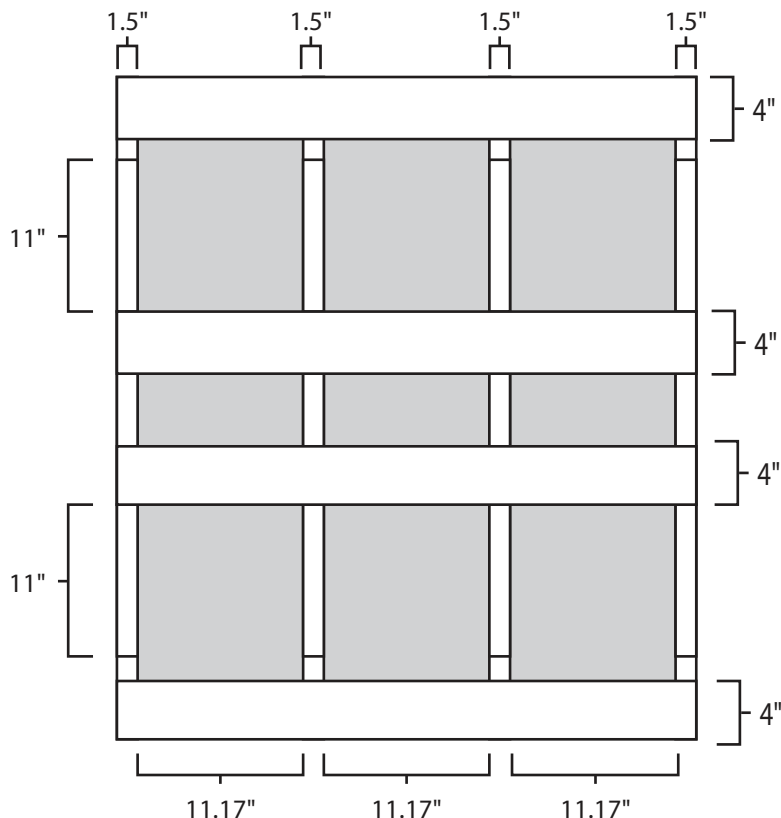
Pallet Specification Sheet

Pallet ID: ppc39.549-4B4SF

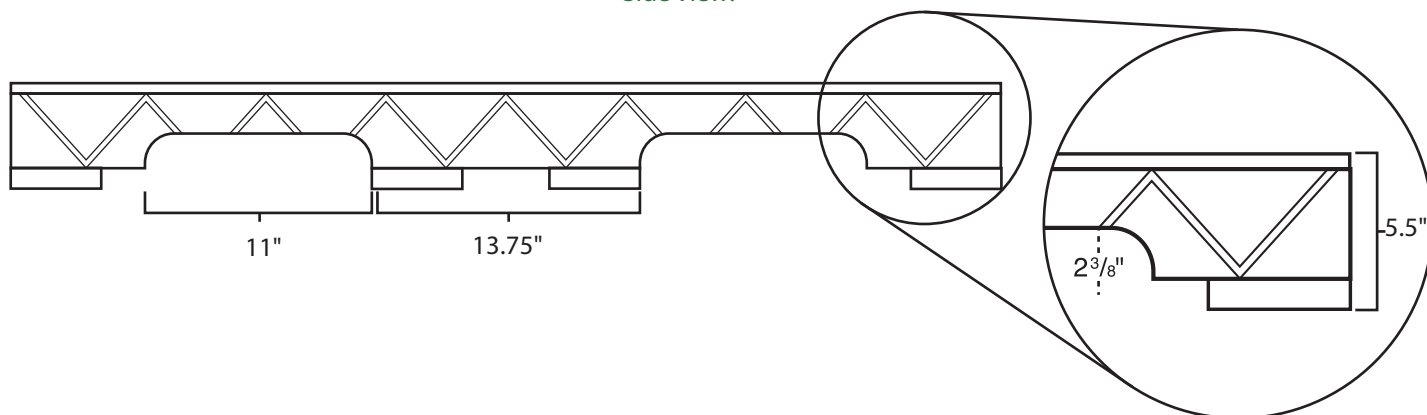
Top View:



Bottom View:



Side View:



Components & Specifications:

Dimensions: 39.5" x 49" x 5.5"

Weight: 48lbs

Stackable

70 #10-12X1-1/2 Screws

Dynamic Capacity: 2,500lbs

Static Capacity: 15,000lbs

All parts made of recycled plastic