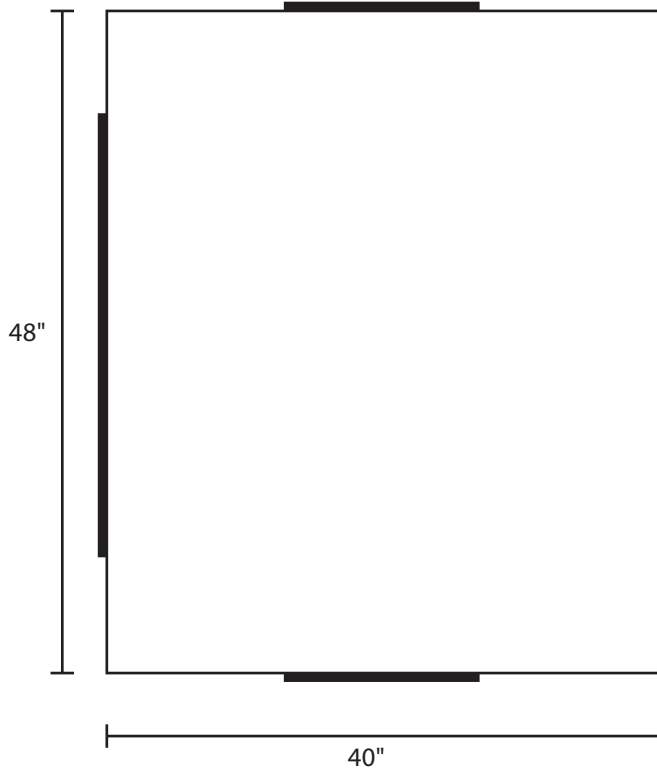


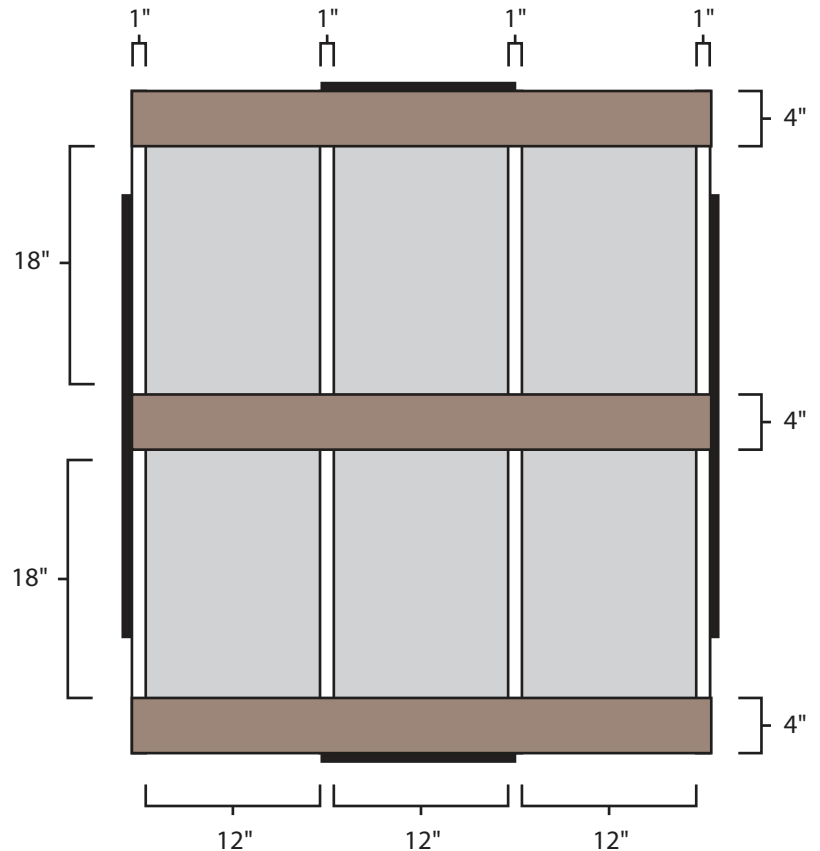
Pallet Specification Sheet

Pallet ID: ppc4048-3B45F-SS-CS-CB-L

Top View:



Bottom View:



Pallet is 4.5" tall
Lip is 2" tall, 1/2" wide, extends 1/2" above pallet deck
Total pallet height including lip is 5"
Lip indicated on drawing by black rectangles

Components & Specifications:

Dimensions: 40" x 48" x 4.5"
Weight: 60 lbs
Stackable

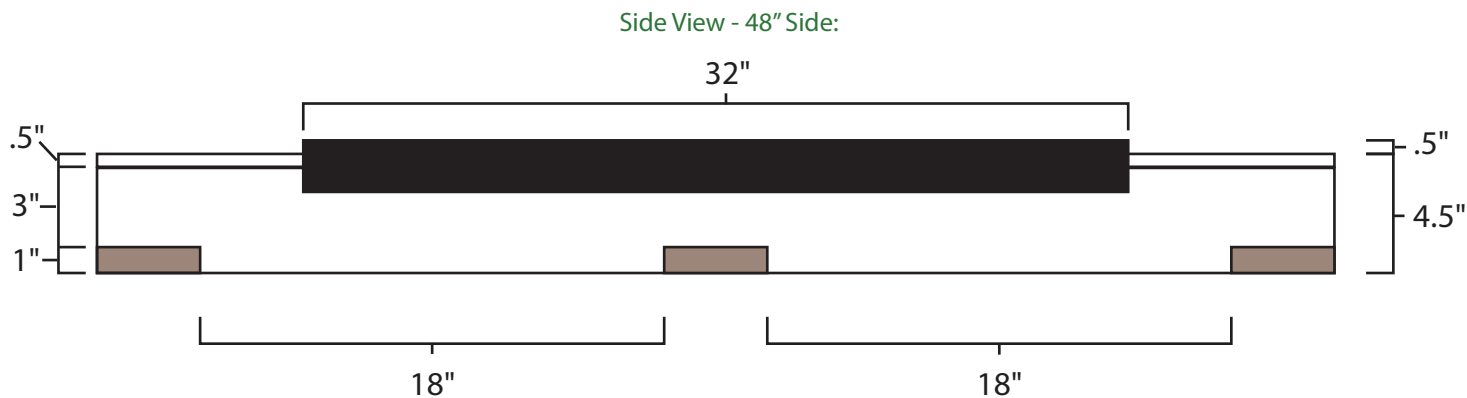
#10-12X1-1/2 Screws
Dynamic Capacity: 5,000lbs
Static Capacity: 15,000lbs

All parts made of recycled plastic
All parts made in USA
Pallet is fully recyclable

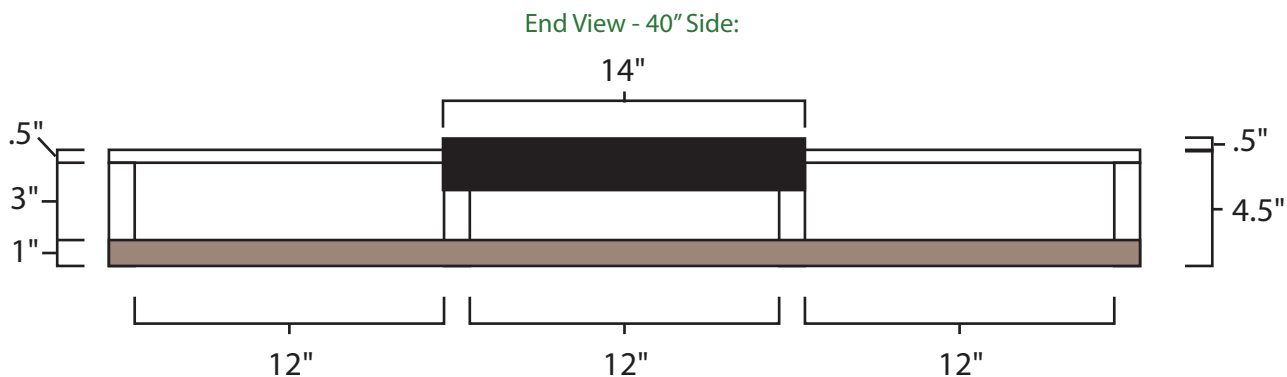
Tolerances +/- 3/8"

Pallet Specification Sheet

Pallet ID: ppc4048-3B4SF-SS-CS-CB-L



Pallet is 4.5" tall
Lip is 2" tall, 1/2" wide, extends 1/2" above pallet deck
Total pallet height including lip is 5"
Lip indicated on drawing by black rectangles



Components & Specifications:

Dimensions: 40" x 48" x 4.5"

Weight: 60 lbs

Stackable

#10-12X1-1/2 Screws

Dynamic Capacity: 5,000lbs

Static Capacity: 15,000lbs

All parts made of recycled plastic

All parts made in USA

Pallet is fully recyclable

Tolerances +/- 3/8"

Plastic Pallet Creations

101 Forrest Street,

Stanwood, IA 52337

319-248-5550