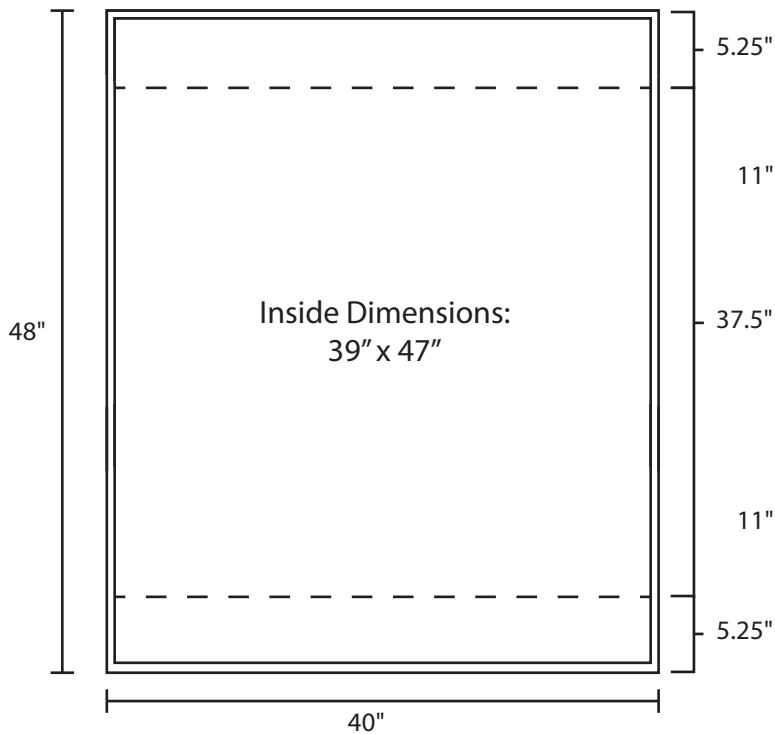


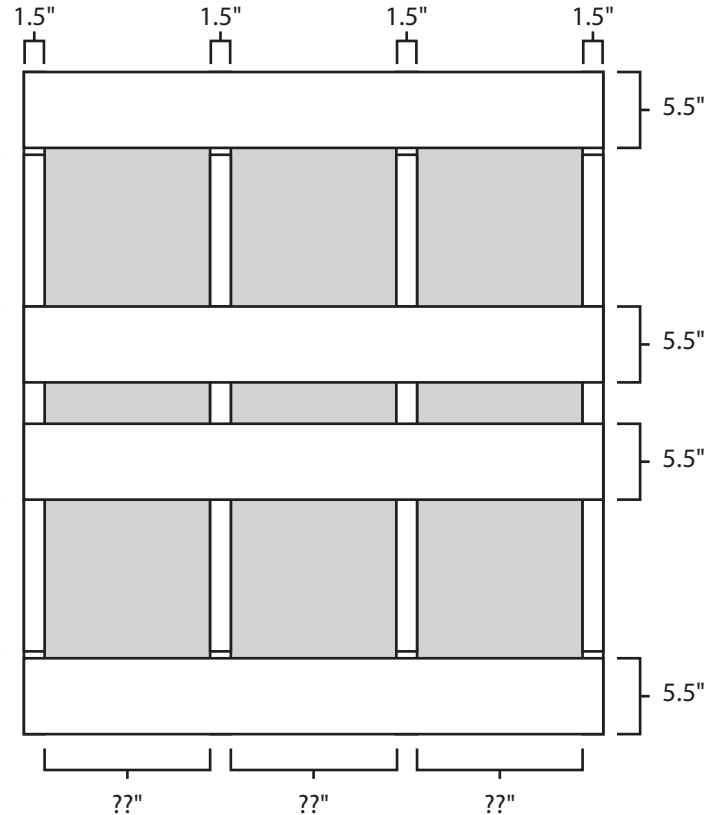
# Pallet Specification Sheet

Pallet ID: ppc4048-4B45F-L

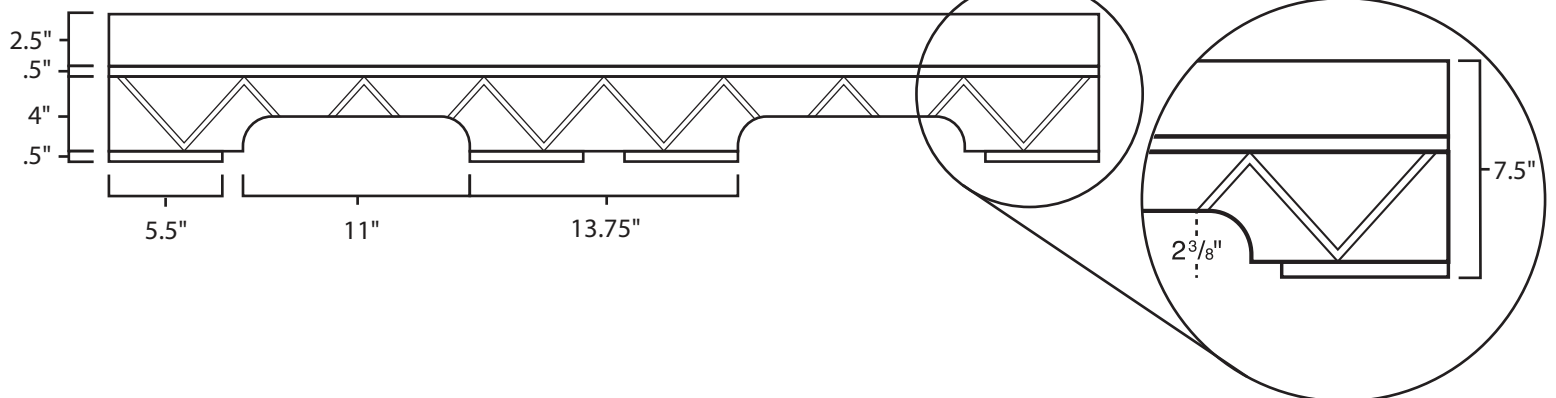
Top View:



Bottom View:



Side View:



## Components & Specifications:

Dimensions: 40" x 48" x 7.5"

Weight: 48lbs

Stackable

#10-12X1-1/2 Screws

Dynamic Capacity: 2,500lbs

Static Capacity: 15,000lbs

All parts made of recycled plastic

2.5" Lip surrounding top deck