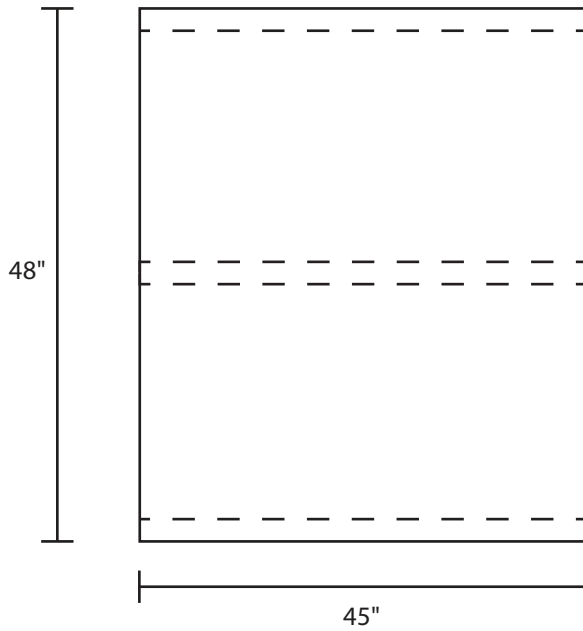


Pallet Specification Sheet

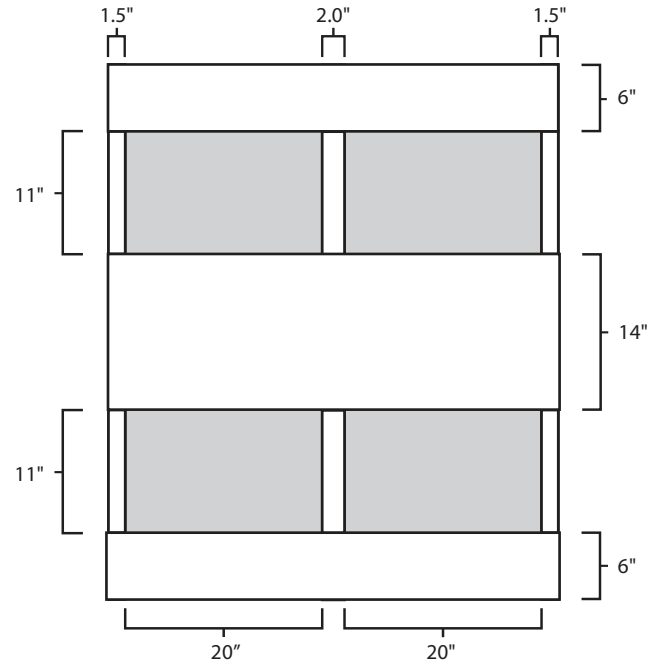
Pallet ID: ppc4548-3B3SF-3XS-CS-CB



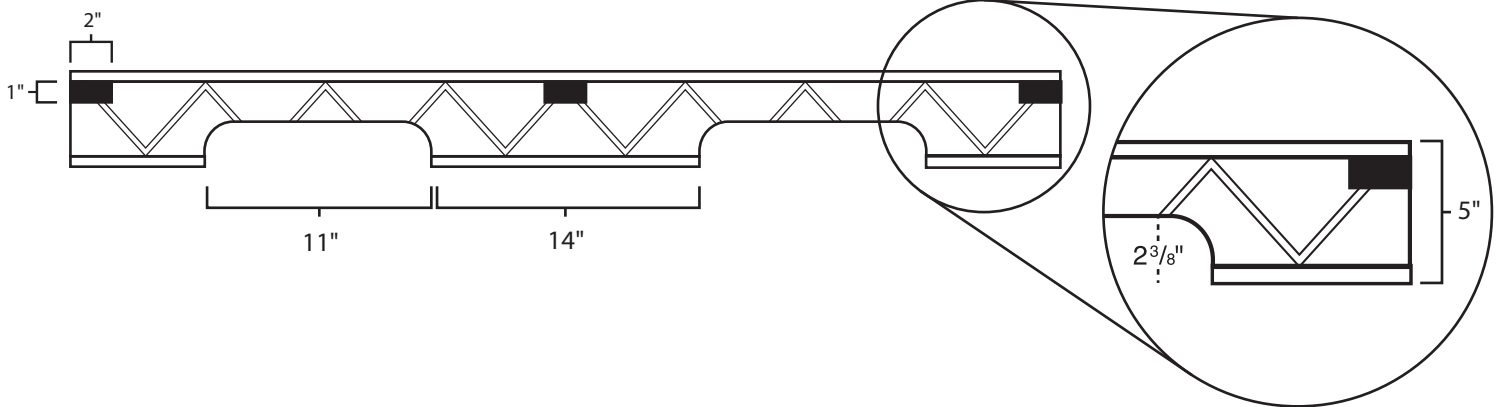
Top View:



Bottom View:



Side View:



Components & Specifications:

Dimensions: 45" x 48" x 5"

Weight: 70lbs

Stackable

Dynamic Capacity: 3,000lbs

Static Capacity: 15,000lbs

#10-12X1-1/2 Screws

All parts made of recycled plastic

All parts made in USA

Pallet is fully recyclable

Tolerances +/- 3/8"

One Way Solutions, LLC.

400 Central Avenue

Northfield, IL 60093

Toll Free: 866.446.0872

Email: info@oneway-solutions.com



www.oneway-solutions.com