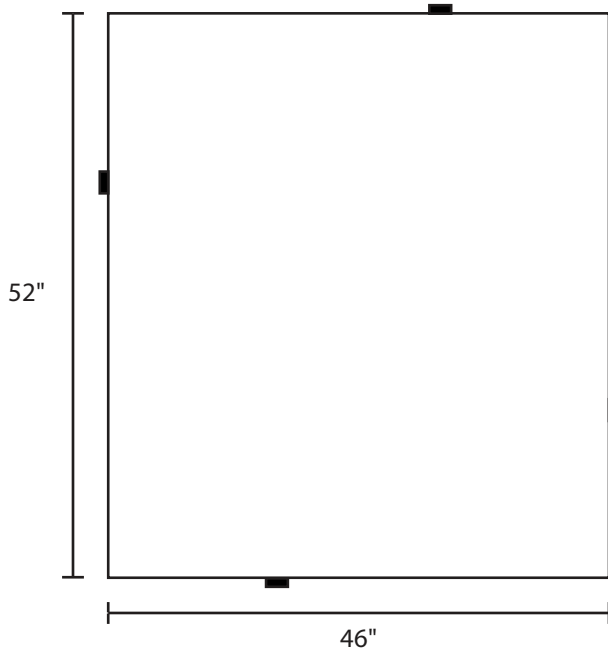


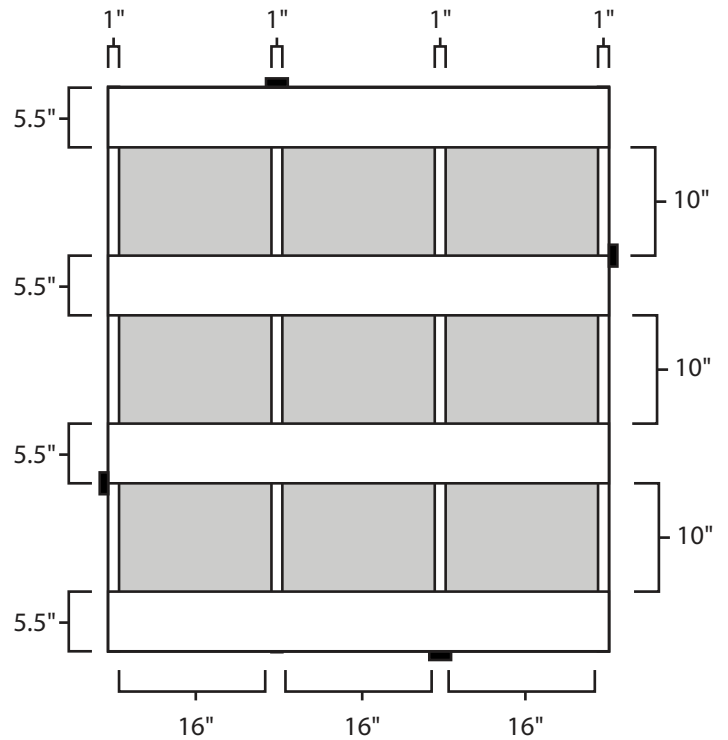
Pallet Specification Sheet

Pallet ID: ppc4652-4B45F-SS-L

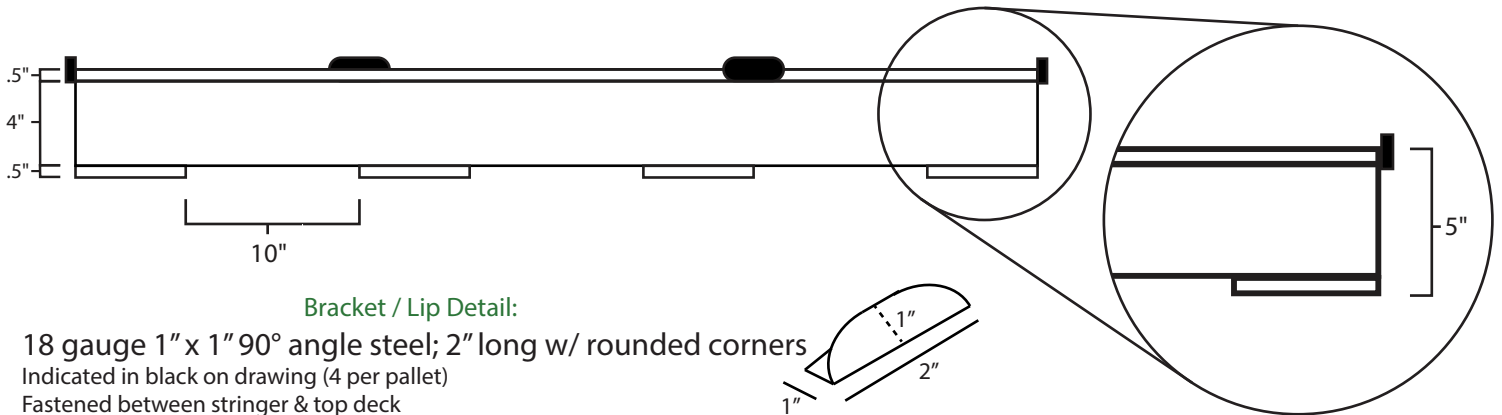
Top View:



Bottom View:



Side View:



Bracket / Lip Detail:

18 gauge 1" x 1" 90° angle steel; 2" long w/ rounded corners

Indicated in black on drawing (4 per pallet)

Fastened between stringer & top deck

Components & Specifications:

Dimensions: 46" x 52" x 5"

Weight: 62 lbs

Stackable

Dynamic Capacity: 2,500lbs

Static Capacity: 15,000lbs

#10-12X1-1/2 Screws

All parts made of recycled plastic

All parts made in USA

Pallet is fully recyclable

Tolerances +/- 3/8"